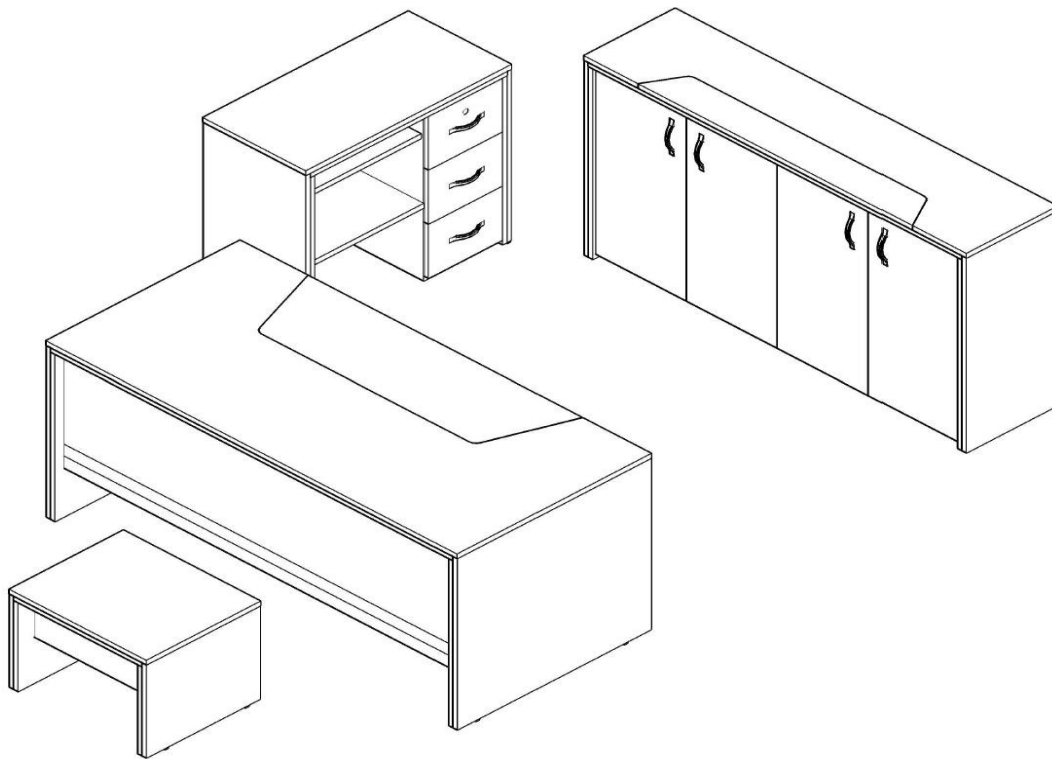






ARYA

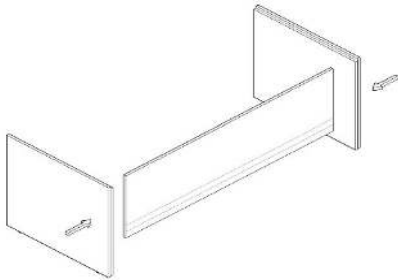


ARYA TABLE 180 * 85 * 75 DISASSEMBLED ACCESSORIES AND ASSEMBLY CHART

									
Minifix Shaft 12 pieces	Minifix Head 12 pieces	Dowel 14 pieces	Big bingo 4 pieces						

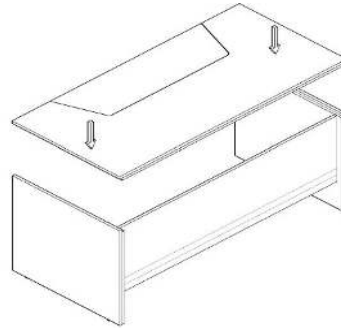
The minifix shaft is pinned to plastic plugs in all trays. The dowel is hammered into the empty holes located near the pinned holes. Bingo minis are pinned to m6 nuts where the products will touch the floor.

1



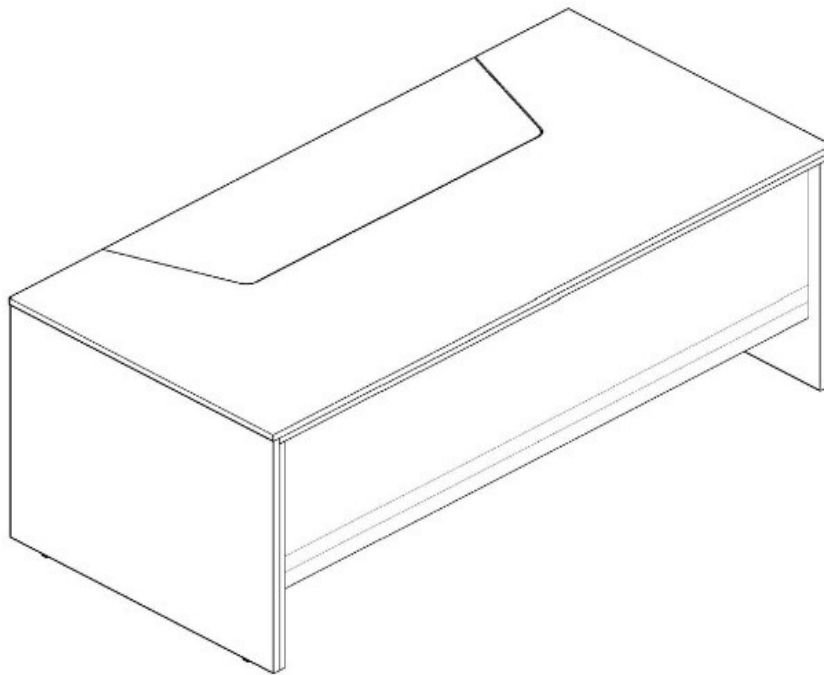
The cover and the stand are attached to each other with minifix.

2



Top tray is placed on the stand and the cover and the minifixes are tightened by the help of a screwdriver.

3

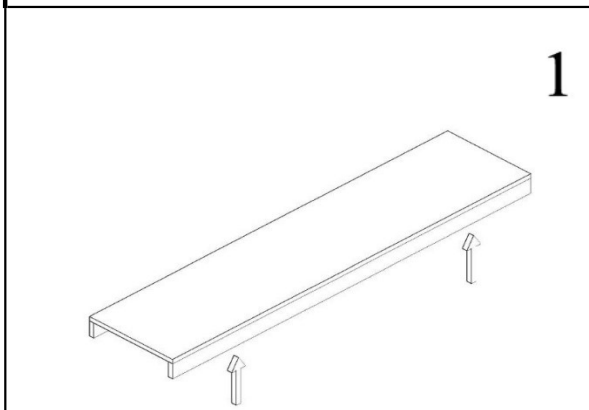


NOTE: The number of accessories may change when the product dimensions change.

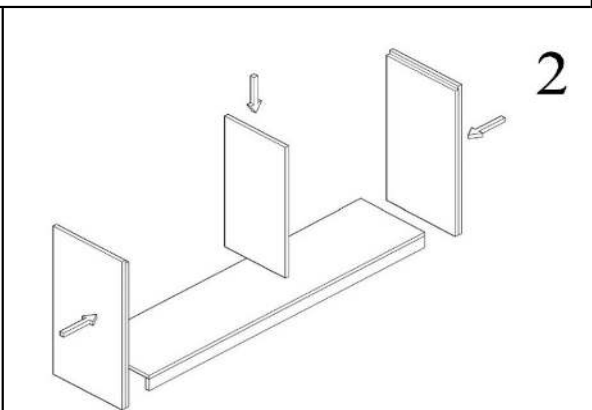
ARYA BOOKCASE 167*40*85 DISASSEMBLED ACCESSORIES AND ASSEMBLY CHART

									
Minifix Shaft 18 pieces	Minifix Head 19 pieces	Dowel 28 pieces	Shelf Pin -Crystal- 8 pieces	Bingo Mini 8 pieces	4*35 Chipboard Screw 2 pieces	Half Camel Hinge 2 pieces	Half Camel Brake Hinge 2 pieces	Super Camel Hinge 2 pieces	Super Camel Brake Hinge 2 pieces
									
3,5*18 Chipboard Screw 32 pieces	Tuna Handle 160mm 4 pieces	Handle Screw 22mm 8 pieces							

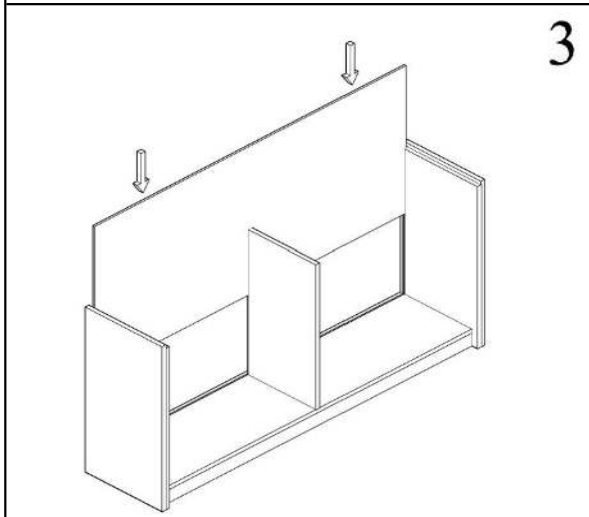
The minifix shaft is pinned to plastic plugs in all trays. The dowel is hammered into the empty holes located near the pinned holes. Bingo minis are pinned to m6 nuts where the products will touch the floor.



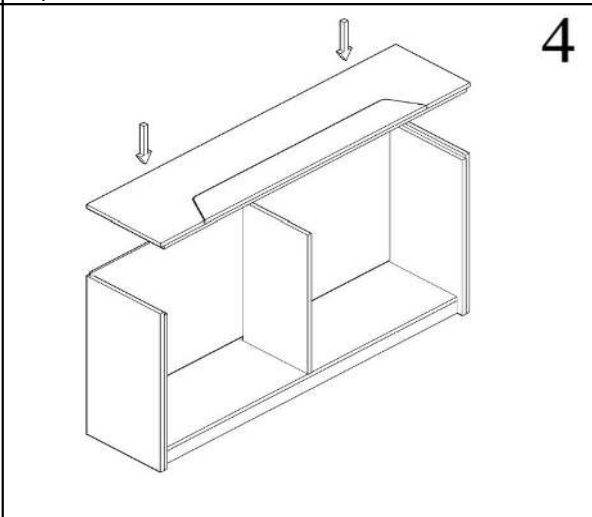
Base parts are placed on the lower part of bottom tray. Minifixes are tightened with the help of a screwdriver.



The side trays are placed on the spaces located in the bottom tray and the minifixes are tightened with the help of a screwdriver.



The backboard is inserted into side trays and backboard channels opened on the bottom tray.

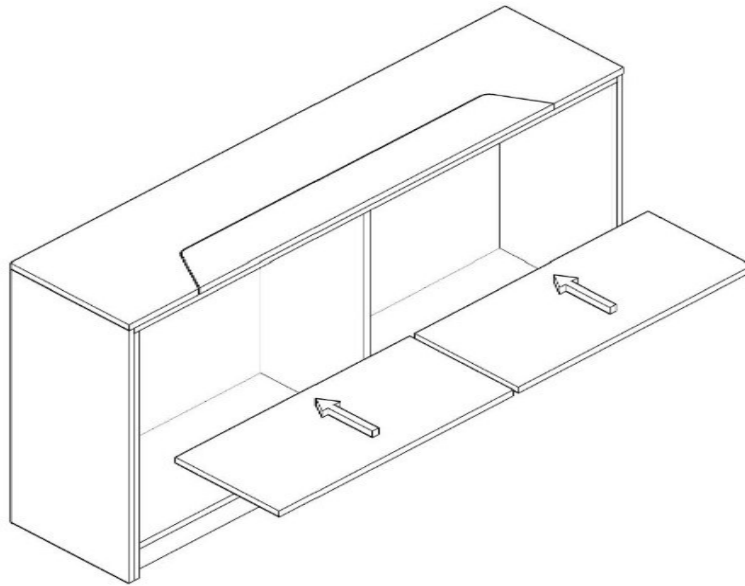


Top tray is placed and the minifixes are tightened with the help of a screwdriver.

NOTE: The number of accessories may change when the product dimensions change.

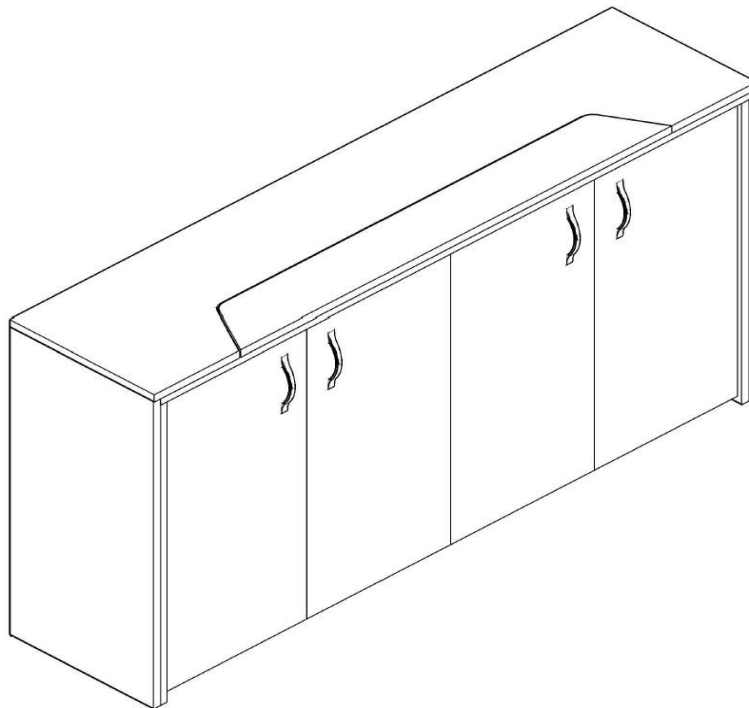
ARYA BOOKCASE 167*40*85

5



Shelf pins are attached and moving shelves are placed.

6



The doors are connected to the side trays and the pillar with 3.5 * 18 screws. Super camel hinge is used for outer doors and half camel hinge is used for inner doors. The handles are fixed to the lids by using 22mm button-head handle screws.

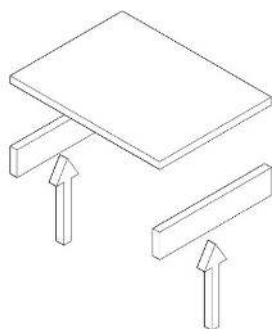
NOTE: The number of accessories may change when the product dimensions change.

ARYA ETAGERE 90*45*75 DISASSEMBLED ACCESSORIES AND ASSEMBLY CHART

									
Minifix Shaft 19 pieces	Minifix Head 19 pieces	Dowel 26 pieces	3,5*18 Chipboard Screw 16 pieces	Bingo Mini 7 pieces	Handle Screw 22mm 6 pieces	Tuna Handle 160mm 3 pieces			

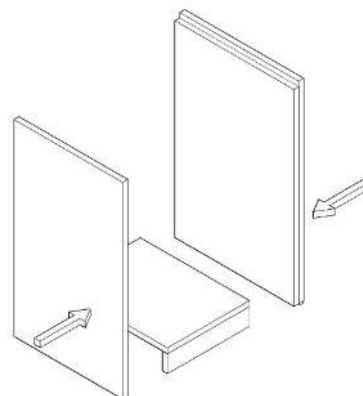
The minifix shaft is pinned to plastic plugs in all trays. The dowel is hammered into the empty holes located near the pinned holes. Bingo minis are pinned to m6 nuts where the products will touch the floor.

1



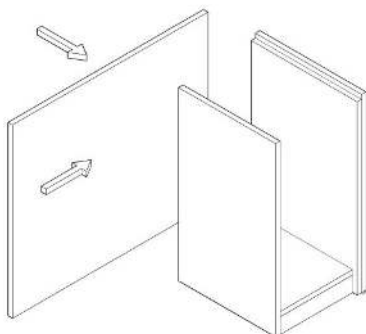
Base parts are placed on the lower part of bottom tray. Minifixes are tightened with the help of a screwdriver.

2



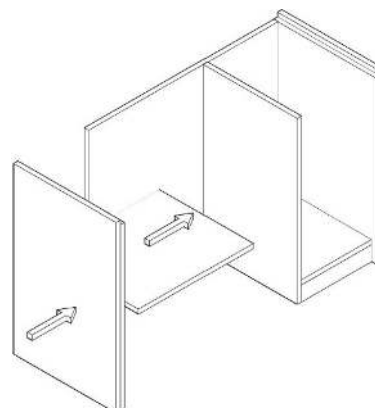
The right-side tray and mid-tray are placed on the spaces located in the bottom tray and the minifixes are tightened with the help of a screwdriver.

3



The 18mm back tray is fixed to the side trays and to the bottom and top part with minifixes.

4

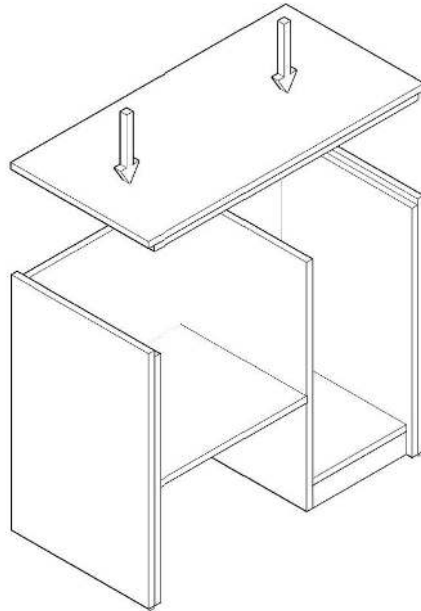


The stable baffle is placed on the spaces in left side respectively and their minifixes are tightened with the help of a screwdriver.

NOTE: The number of accessories may change when the product dimensions change.

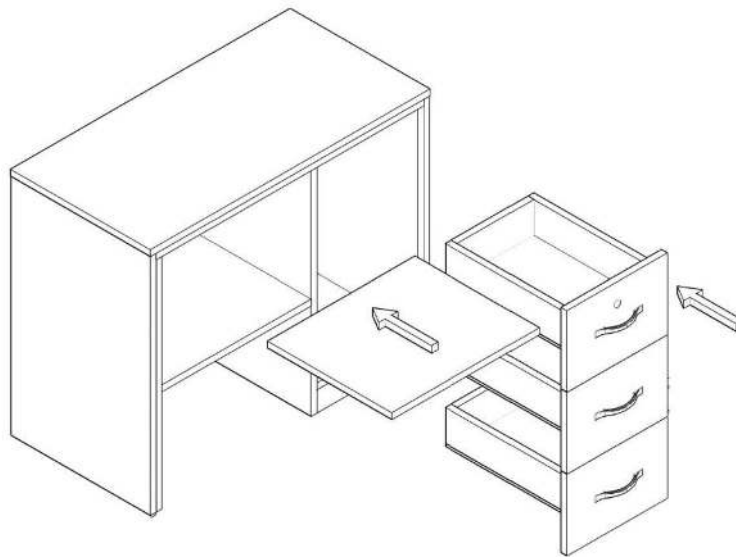
ARYA ETAGERE 90*45*75

5



Top tray is placed and the minifixes are tightened with the help of a screwdriver.





6



1 piece of rail is included in the keyboard package. There are sign holes on the left side tray and on the left side of mid-tray for connecting the rail. The rails are connected by using a 3.5 * 18 screw. The other parts of the rails are connected to the keyboard tray. The keyboard and drawers are put in their places. The handles are fixed to the drawer tabs by using 22mm button-head handle screws.

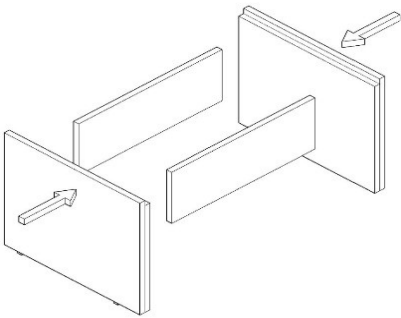
NOTE: The number of accessories may change when the product dimensions change.

ARYA COFFEE TABLE 90*45*75 DISASSEMBLED ACCESSORIES

									
Minifix Shaft 10 pieces	Minifix Head 10 pieces	Dowel 8 pieces	Bingo Mini 4 pieces						

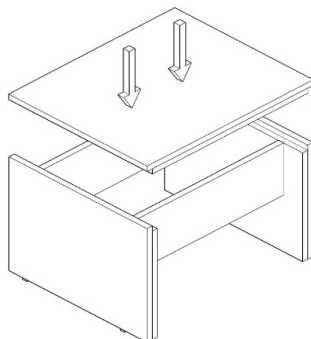
The minifix shaft is pinned to plastic plugs in all trays. The dowel is hammered into the empty holes located near the pinned holes. Bingo minis are pinned to m6 nuts where the products will touch the floor.

1



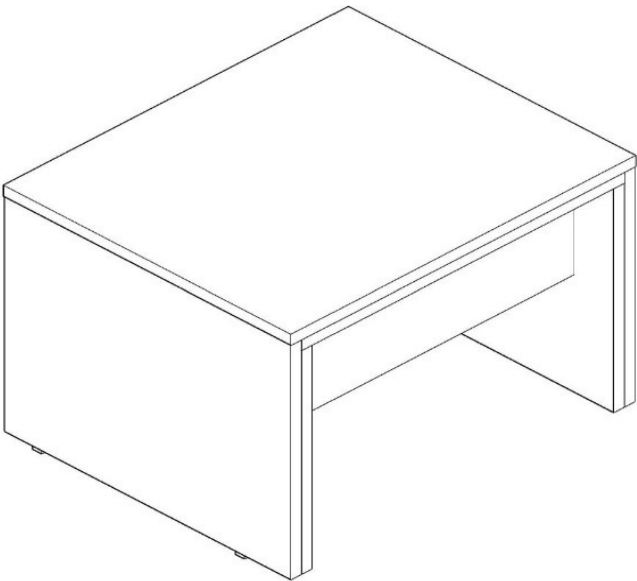
Minifix shafts located on the stands precisely placed on the minifix heads located on the bases and tightened with the help of a screwdriver.

2



The top tray is placed on the stands and the minifixes are tightened with the help of a screwdriver.

3



NOTE: The number of accessories may change when the product dimensions change.